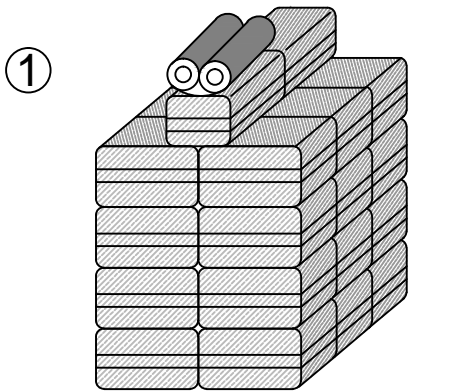


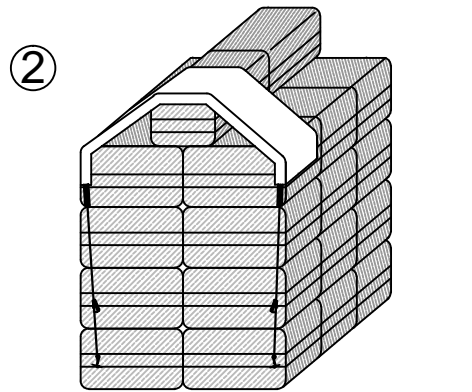


PERFORMER INSTALLATION INSTRUCTIONS FOR SQUARE BALE HAYSTACKS

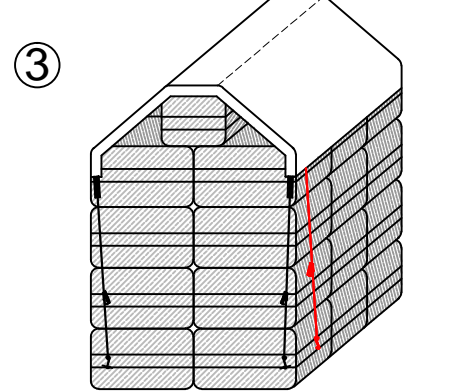
IT IS RECOMMENDED TO HAVE THREE OR MORE PEOPLE PERFORM THIS INSTALLATION



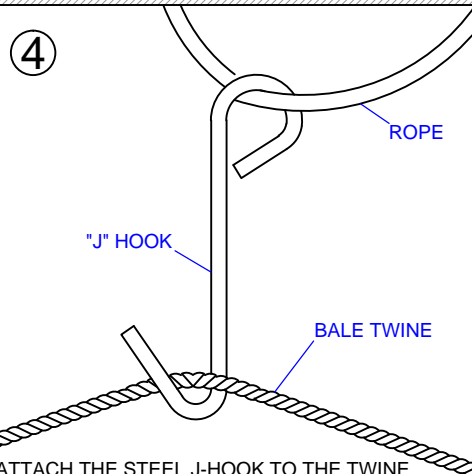
① LIFT TARP UP ON AND PLACE IT AT THE END OF THE HAY STACK. CENTER TARP ON TOP OF THE STACK SO THE WHITE CENTER TAG IS OVERHANGING THE STACK.



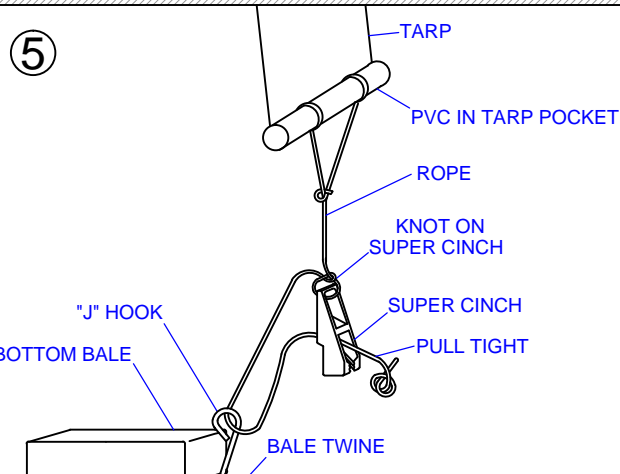
② UNFOLD THE TARP DOWN EACH SIDE OF THE STACK AND SECURE THE FIRST ROPES ON THE EDGE TO THE BOTTOM TWINE ON THE BOTTOM BALE.



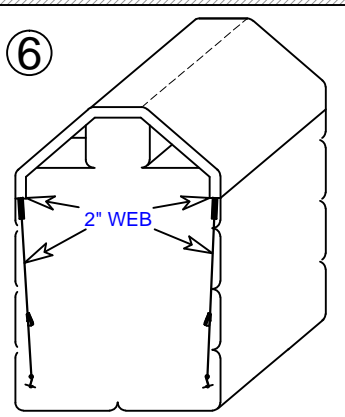
③ ONCE ONE END IS SECURE, PULL THE TARP TO THE OTHER END OF THE STACK AND FASTEN THAT END. INSTALLATION GOES QUICKLY WITH ONE PERSON ON EACH SIDE OF THE TARP HOLDING IT AWAY FROM THE SIDES WHILE THE THIRD PERSON ON TOP OF THE STACK IS PULLING THE TARP TO THE OTHER END.



④ ATTACH THE STEEL J-HOOK TO THE TWINE ON THE BOTTOM BALE DIRECTLY BELOW WHERE IT IS FASTENED TO THE TARP. ROPES SHOULD BE AS VERTICAL AS POSSIBLE FOR MAXIMUM STRENGTH.



⑤ PULL ALL ROPES TIGHT ALONG SIDES OF TARP TO 150 - 300 LBS. OF PRESSURE, UP TO MAXIMUM OF 700LBS.



⑥ THE 2" WEBBING ON EACH END OF THE TARP MUST BE SECURED WITH A MINIMUM OF 50 LBS. TIE DOWN PRESSURE.

PRELIMINARY NOTES:

- 1) BUILD AN ELEVATED AND LEVEL AREA TO STACK HAY ON.
- 2) GROUND SHOULD SLOPE AWAY FROM EACH HAYSTACK TO ALLOW FOR DRAINAGE.
- 3) STRETCH TIGHT A BALER TWINE ON THE GROUND AS A GUIDE FOR BUILDING A STRAIGHT STACK.

MULTIPLE TARPS:

IF USING MULTIPLE TARPS TO COVER LENGTH OF STACK, OVERLAP THEM BY AT LEAST 3 FEET TO ENSURE A TIGHT SEAL.

DO NOT TIE BOTH ENDS TOGETHER.

TARP LONGER THAN STACK ?

IF THE TARP IS LONGER THAN THE STACK, FOLD THE EXCESS TARP BACK ONTO THE STACK AND TIE SECURELY. DON'T PULL THE EXCESS DOWN OVER THE END OF THE STACK AS IT WILL OBSTRUCT THE AIRFLOW UNDER THE TARP AND CAUSE THE TARP TO BILLOW IN THE WIND AND BECOME DAMAGED.

⚠ WARNING: IT IS TOO DANGEROUS TO INSTALL HAY TARPS ON WINDY DAYS ⚠

SEE INSTALLATION VIDEO AT WWW.INLANDTARP.COM

FOR MORE INFORMATION, PLEASE CONTACT OUR CUSTOMER SERVICE REPRESENTATIVES AT 1-800-346-7744 OR SEE OUR WEB SITE AT WWW.INLANDTARP.COM